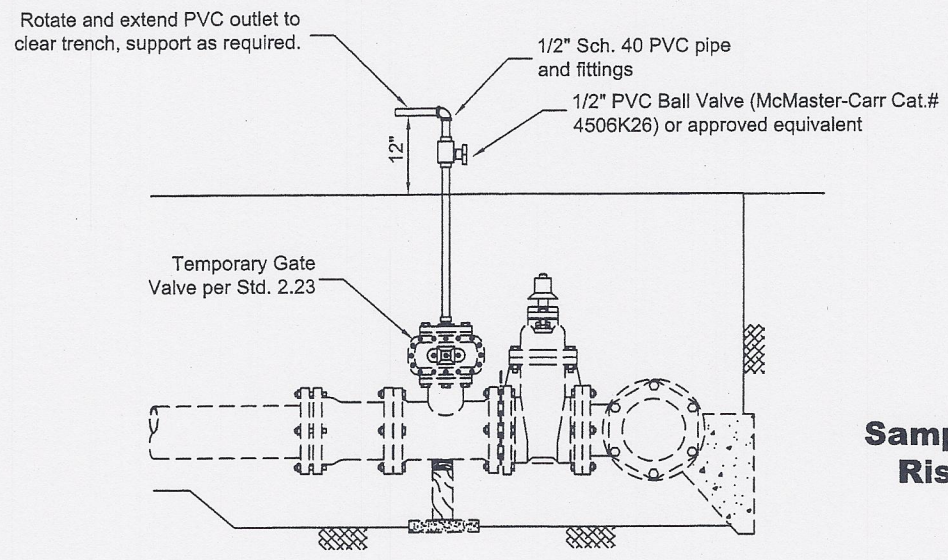
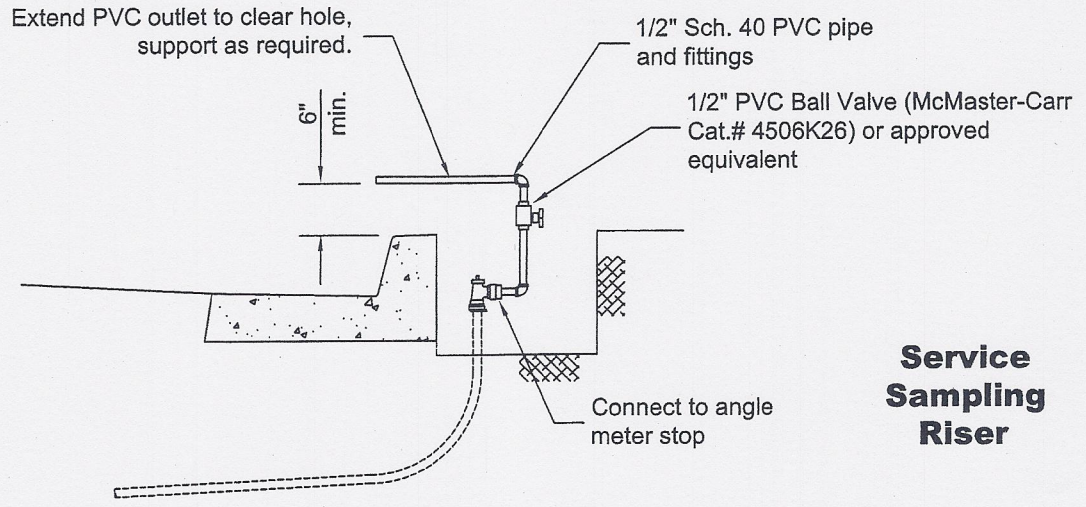


Approved by: *R. Cantwell*
 City Engineer R.C.E. 29011
 Date: 3/30/04

Drawn by: JSWilliams
 Date: November 20, 2000
 Revised by: JSWilliams
 Date: March 8, 2004
 Effective Date: April 13, 2004



Sampling Riser



Service Sampling Riser

3. Sample points shall be installed at all connections to existing mainlines. The Contractor shall install sample points as directed by the City Engineer and shall not exceed 300 feet between sample points.

